

Series	Function	Sizing
Parallel Rigid Arm Units		
PR7500	NHO	1-6
PR7500H	HO	"
PR770X	NHO	2 THRU 6
PR770XH	HO	"
CloserPlus Arm Units		
CLP-7500	NHO	1-6
CLP-7500T	HO	"
CLP-770X	NHO	2 THRU 6
CLP-770XT	HO	"

Parallel Rigid Arm Door Closers (PR) CloserPlus Door Closers (CLP)

CAUTION

An incorrectly installed or improperly adjusted door closer can cause property damage or personal injury. These instructions should be followed to avoid the possibility of misapplication or misadjustment.

CAUTION

Additional Closer Options:

- "DA" indicates Delayed Action closing
- "H" indicates Hold-Open function. These components are handed
- "T" indicates Thumbturn actuated Hold-Open control, not handed

Optional Accessories:

- 7788 Drop Plate
- 2019L, 6890, 6891 Soffit Plate Accessories

"X" Designates closer size 2, 3, 4, 5, or 6

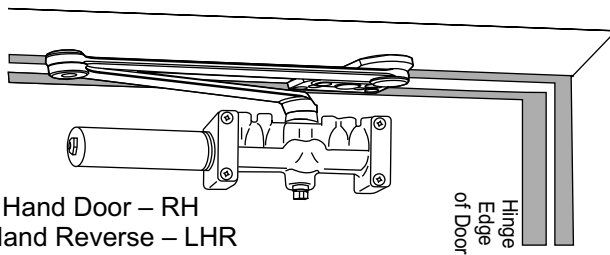
Official Supplier



NOTE: For special applications a separate door and frame preparation template is packed with these instructions. In those cases, use this instruction sheet for installation sequence and closer adjustments only.

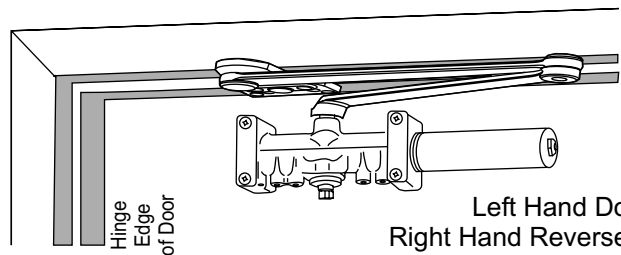
Standard Frame Installation

Closer mounts on opposite to hinge (push) side of door. PR7500 Parallel Rigid Non Hold Open arm illustrated.
See Pages 3 and 4



Right Hand Door – RH
Left Hand Reverse – LHR

Hinge
Edge
of Door

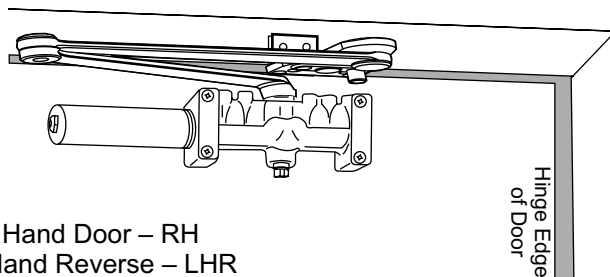


Left Hand Door – LH
Right Hand Reverse – RHR

Hinge
Edge
of Door

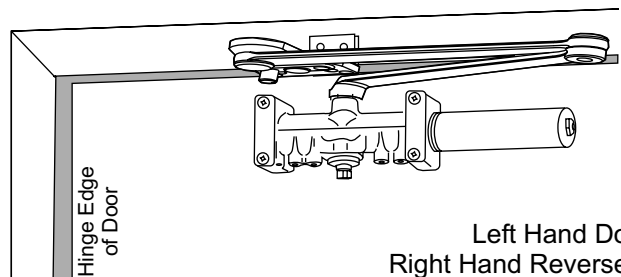
Narrow Frame Installation

Closer mounts on opposite to hinge (push) side of door. CLP7500 CloserPlus arm illustrated.
6890 and 6891 accessories required for this application (supplied separately).
See Pages 3 and 4



Right Hand Door – RH
Left Hand Reverse – LHR

Hinge
Edge
of Door

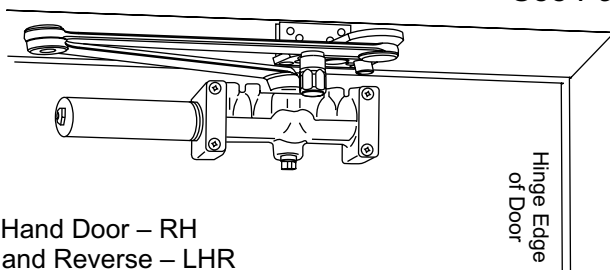


Left Hand Door – LH
Right Hand Reverse – RHR

Hinge
Edge
of Door

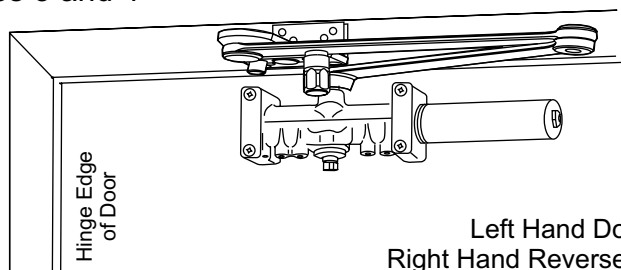
Flush Partition Installation

Closer mounts on opposite to hinge (push) side of door. CLP7500T CloserPlus arm with Thumbturn Hold Open illustrated.
2019L accessory required for this application (supplied separately).
See Pages 3 and 4



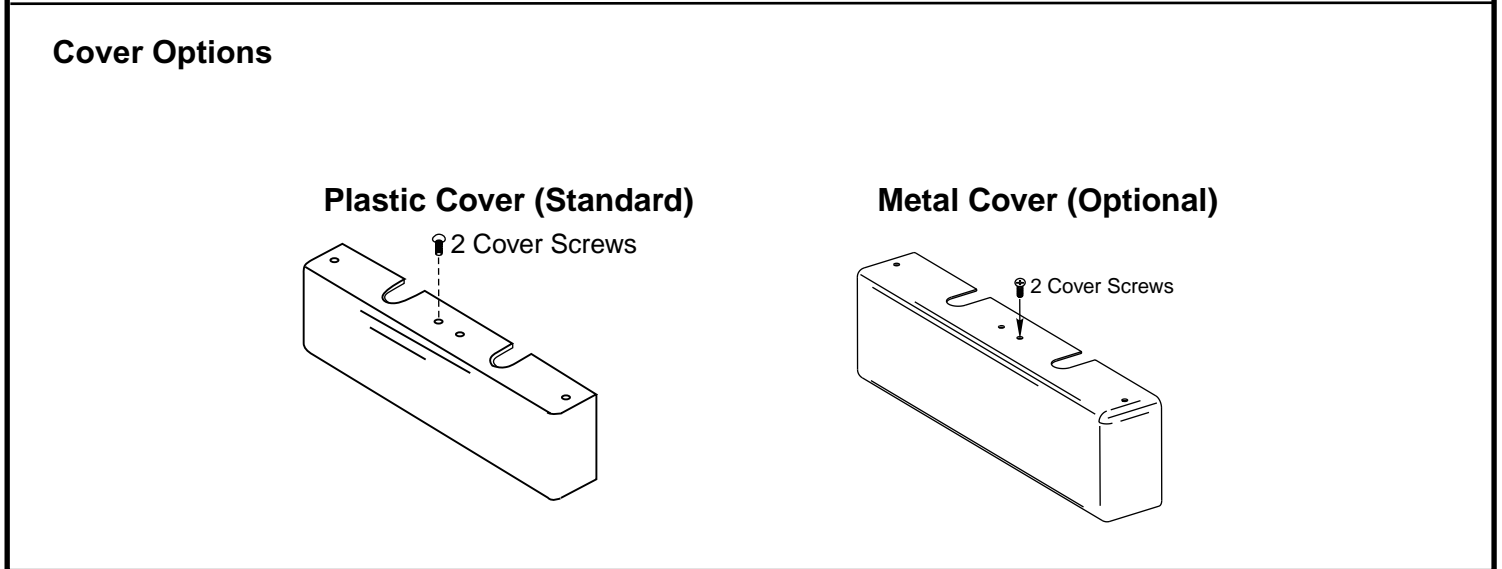
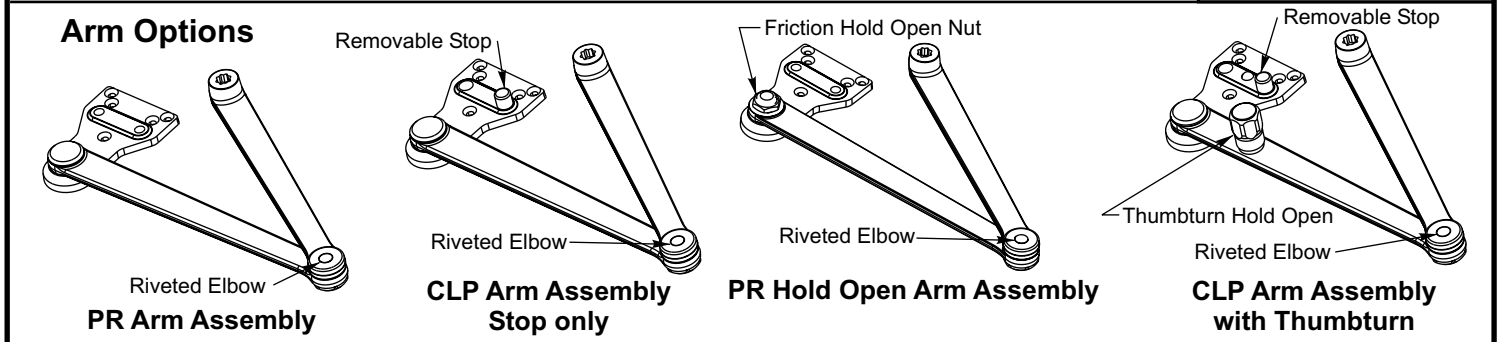
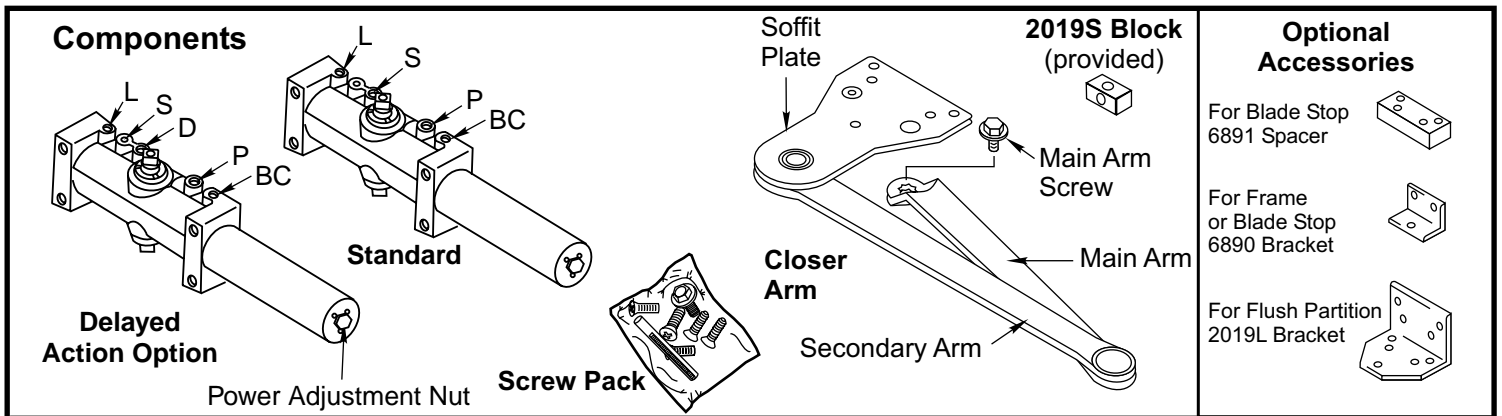
Right Hand Door – RH
Left Hand Reverse – LHR

Hinge
Edge
of Door



Left Hand Door – LH
Right Hand Reverse – RHR

Hinge
Edge
of Door



Preparation for Fasteners			
	Fasteners	Door or Frame	Drill-Sizes
Standard	Self-Drilling Screw	Aluminum or Metal	No drill required
		Wood (see Note)	3/16" (4.30 mm) Pilot hole required
	1/4" - 20 machine screw	Metal	Drill: #7 (0.201" dia.) Tap: 1/4" - 20
	Sleeve nuts and bolts	Hollow Metal	9/32" (7 mm) through; 3/8" (9.5 mm) door face opposite to closer
Aluminum or Wood		3/8" (9.5 mm) through	
Optional	Through-bolts and grommet-nuts	All	9/32" (7 mm); 3/8" (9.5 mm) dia. x 3/8" (9.5 mm) deep on door opposite to closer

Note: Wood doors/frames **MUST** have pilot hole when using Self-Drilling Screws.

Installation Instructions

80-9377-2205-020 (11-07)

- Select angle of opening and use dimensions shown on Page 4 and Dimension Chart below to locate 4 holes on door for closer body (or 4 holes for 7788 Drop Plate, Page 5, only if required) and 5 holes on stop/rabbit for Soffit Plate (or 4 holes on frame transom for 2019L bracket, only if required). For applications not covered in these instructions, a separate template will be required.
- Prepare door and frame for fasteners using "Preparation for Fasteners" chart on Page 2.
- 7500 Series Closers only:
Closer is shipped from factory set at mid-range. Using "Power Adjustment" chart below, rotate power adjustment shaft with 1/8" allen wrench supplied:
Turn **CLOCKWISE** to **increase** power
Turn **COUNTER-CLOCKWISE** to **decrease** power
See Page 6 for the illustration of this step.
- Mount 7788 Drop Plate to door ... only if used (see Page 5).
- Install closer body to door, or 7788 Drop Plate, with **power adjustment shaft** away from **hinge edge of door and adjustment valves**:
Down for Left Hand
Up for Right Hand
- Install Main Arm: Close valves ('S/D' or 'S') and 'L', then using a wrench, rotate the pinion shaft at least 50° to permit alignment of the **Pinion Flat** with the proper arm mark:
'Z' for Left Hand
'Y' for Right Hand
See below for illustrations of this procedure.
- Reopen valves ('S/D' or 'S') and 'L', that were closed in previous step.
- With door closed, align soffit plate with holes in frame and fasten to frame with screws. Use 2019S and/or 6891 spacer blocks or 6890 reinforcing bracket as required.
- Make adjustments to closer before installing cover. See Page 6 for closer adjustment instructions.
CAUTION: Do Not back valves out of closer body or a fluid leak will result.
- Install cover.

DOOR	PARALLEL ARM INSTALLATION	*	MAXIMUM DOOR SIZE			
			32" (0.81 m)	36" (0.9 m)	42" (1.1 m)	48" (1.2 m)
INT	PR7500/ CLP7500	FULL 360° TURNS OF POWER ADJUSTMENT SHAFT	0	3	5	8
EXT			4	6	8	12
INT	PR7500/ PR7700/ CLP7700		0	2	5	8
EXT			2	5	8	11

*17 -360° TURNS MAXIMUM AVAILABLE

Dim	Up to 90°	90°-95°	95°-100°	100°-105°	105°-110°	110°-115°	115°-130°	130°-150°	150°-180°
		PR7500/ PR770X	A (in./mm)	8-3/4 (222)			7-1/4 (184)		6-1/4 (159)
	B (in./mm)	9-1/4 (235)			7-3/4 (197)		6-3/4 (171)	5-3/4 (146)	
	C (in./mm)	9-3/8 (238)			7-7/8 (200)		6-7/8 (175)	5-7/8 (149)	
CLP7500/ CLP770X	A (in./mm)	10-1/8 (257)	9-1/4 (235)	8-5/8 (219)	7-7/8 (200)	7-3/8 (187)	6-3/4 (171)		
	B (in./mm)	10-5/8 (270)	9-3/4 (248)	9-1/8 (232)	8-3/8 (213)	7-7/8 (200)	7-1/4 (184)		
	C (in./mm)	10-3/4 (273)	9-7/8 (251)	9-1/4 (235)	8-1/2 (216)	8 (203)	7-3/8 (187)		

Arm Mounting Detail

Pinion flat will face the door on either right or left hand doors.

Arm to Pinion Assembly

Install arm roughly here with flat side of pinion to the correct marking on the arm per the illustration below

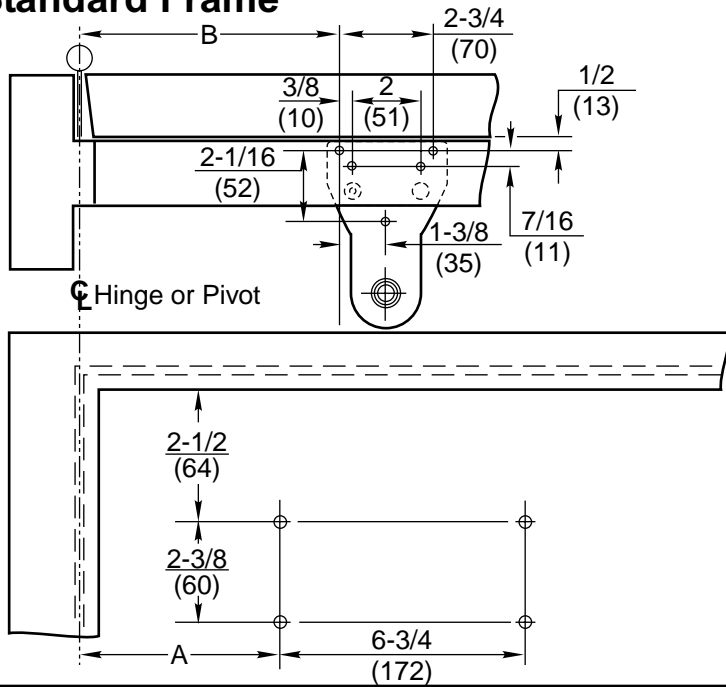
Left Hand

Right Hand

Pinion Flat

Final Installation

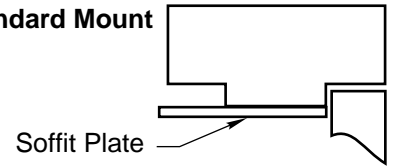
Standard Frame



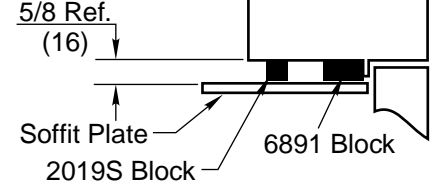
Notes:

Do Not Scale Drawing.
 Left Hand Door Shown.
 Same dimensions apply for Right Hand Door measured from centerline of pivot point.
 Dimensions are in inches (mm).
 See Page 3 for A, B, & C dimension values.

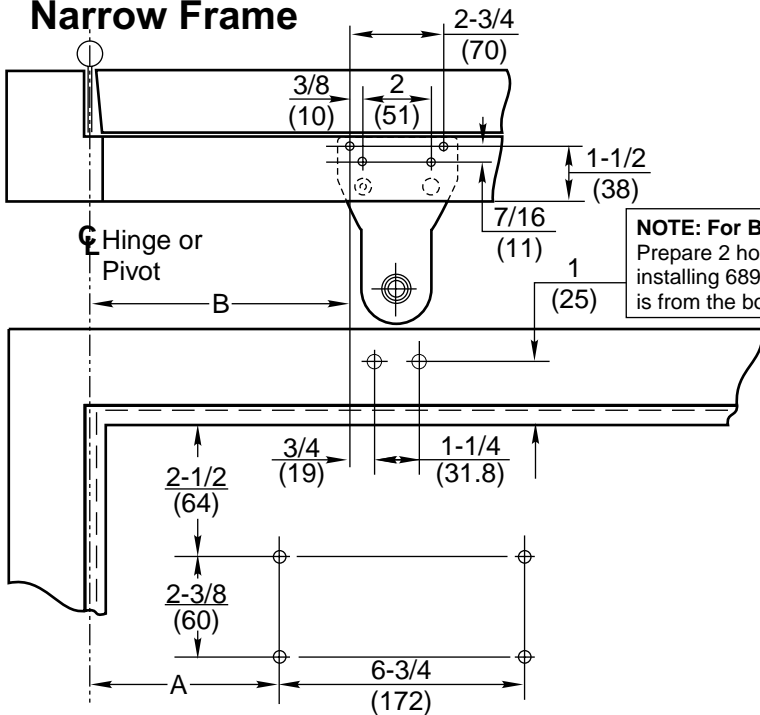
Standard Mount



Blade Stop Mount

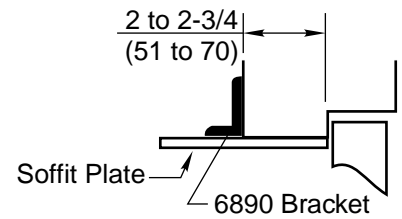


Narrow Frame

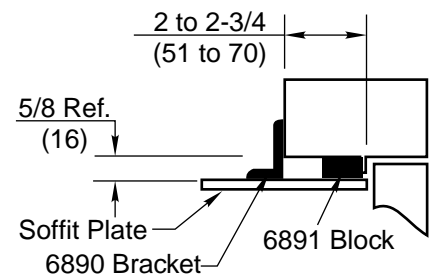


NOTE: For Blade Stop Mounting only.
 Prepare 2 holes for 6890 bracket after installing 6891 block. The 1" dimension is from the bottom of the 6891 block.

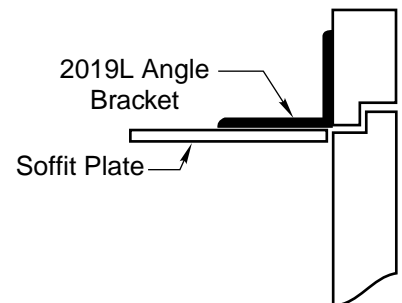
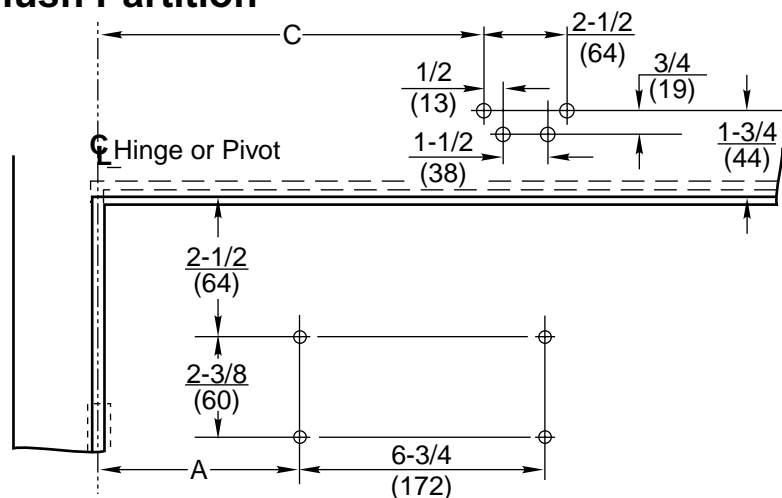
Narrow Frame Mount



Blade Stop Mount

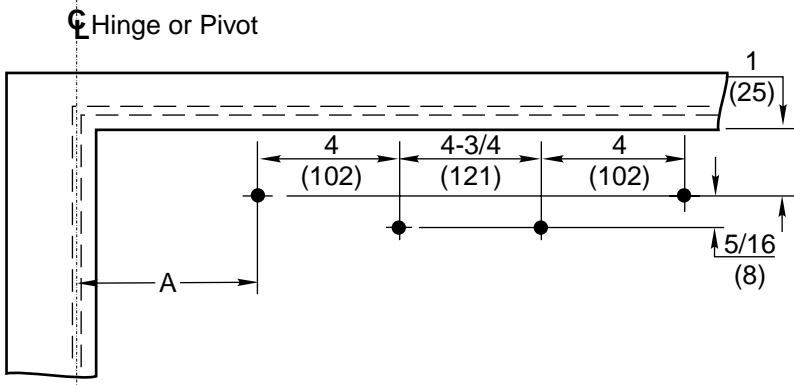


Flush Partition

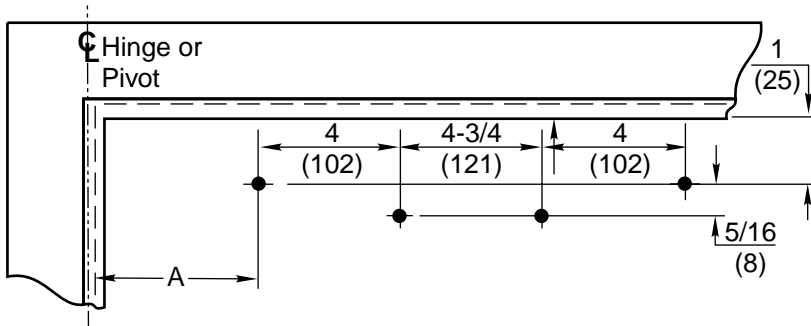


7788 Drop Plate Mounting Holes

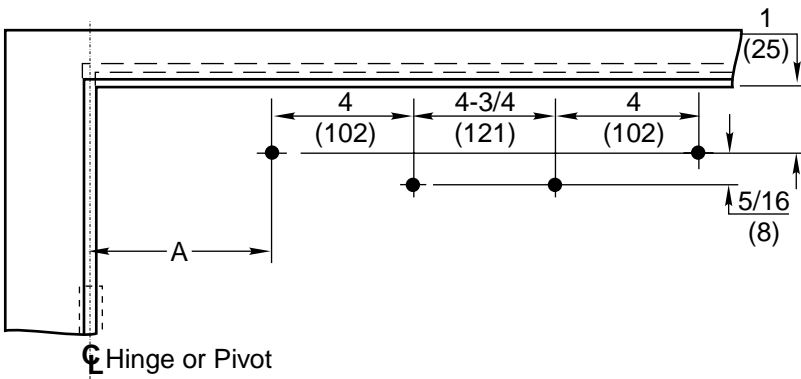
Standard Frame



Narrow Frame



Flush Partition



Notes:

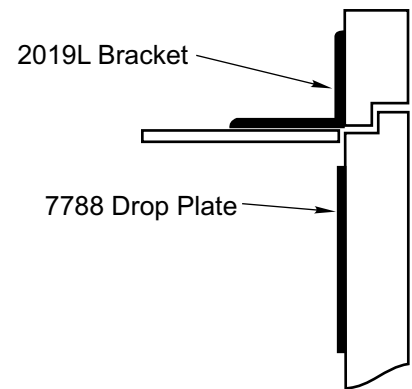
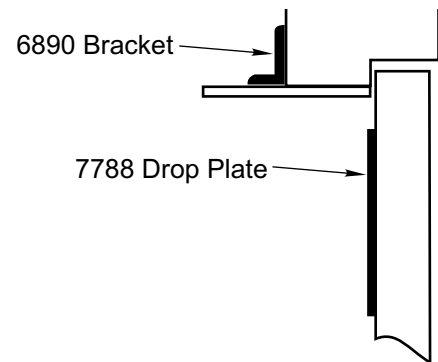
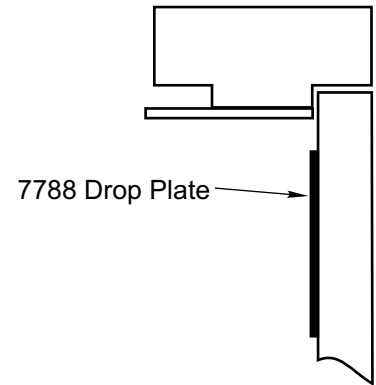
Left Hand Door Shown.

Same dimensions apply for Right Hand

Door measured from centerline of pivot point.

Dimensions are in inches (mm).

See Chart below for A dimension values.



Installation Dimensions Chart											
	Dim	Up to 90°	90°-95°	95°-100°	100° to 105°	105°-110°	110°-115°	115°-130°	130°-150°	150°-180°	
PR7500/ PR7500H/ PR770X/ PR770XH	A in. (mm)	8-1/2 (216)			7 (178)				6 (152)	5 (127)	
CLP-7500/ CLP-7500T/ CLP-770X/ CLP-770XT	A in. (mm)	9-7/8 (251)	9 (229)	8-3/8 (213)	7-5/8 (194)	7-1/8 (181)	6-1/2 (165)				

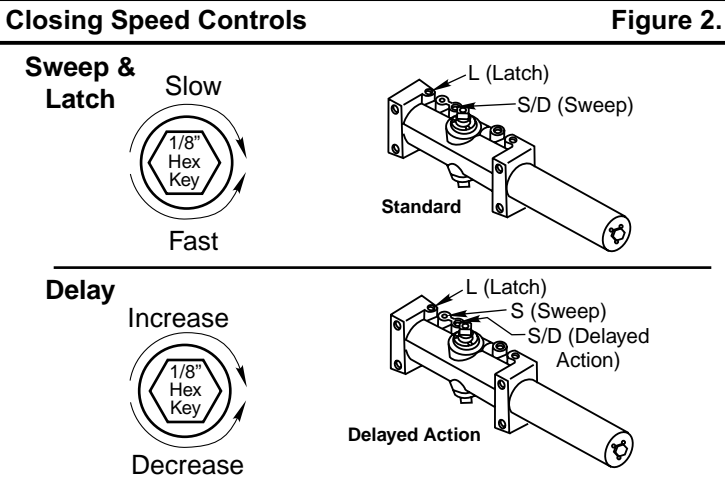
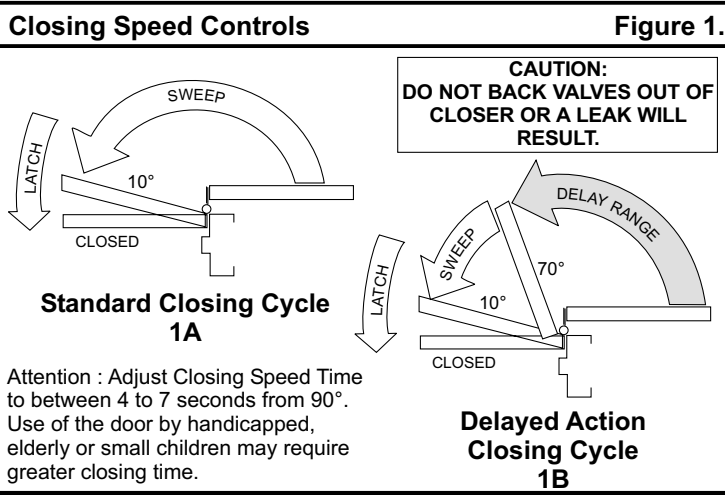
Unit Adjustment

Control Valve Adjustments

(See Figure 2.)

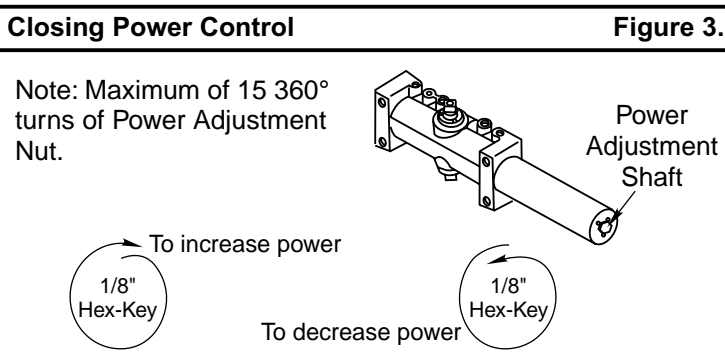
Closing Speed Controls (Figure 1A or 1B and 2.)

- Valve "S" Controls Sweep Range.
- Valve "L" Controls Latch Range.



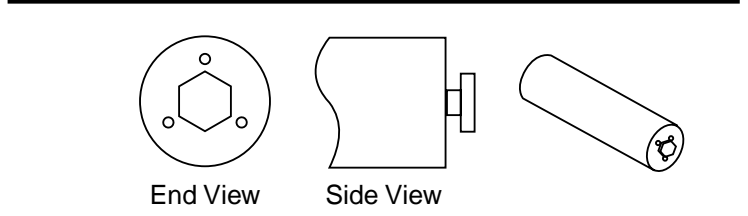
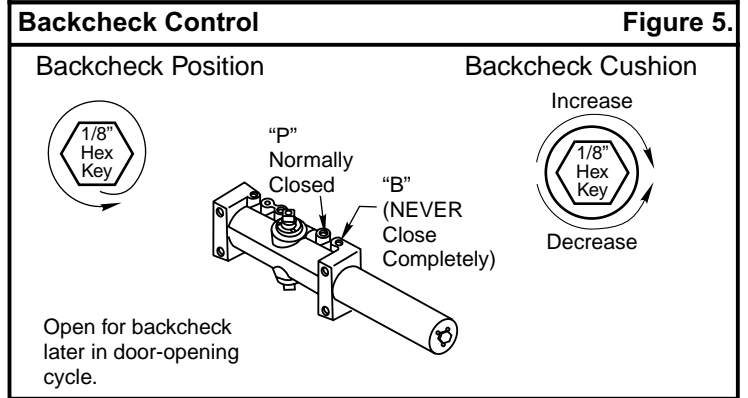
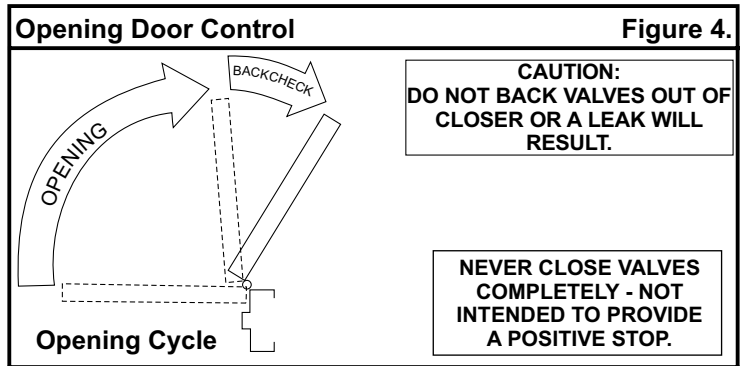
Closing Power Adjustment—

Using "Power Adjustment Chart" from Page 3, select the correct number of turns for power adjustment shaft that corresponds with the installation. With 1/8" hex-key provided, rotate adjustment shaft full 360° clockwise turns to desired setting. After closer has been installed and proper adjustments made to the sweep and latch, it may be necessary to readjust spring power for good closing action.



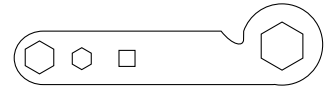
Opening Cycle

"Backcheck" valve controls the strength of cushioning in Backcheck Range. NEVER close this valve completely – it is not to provide a positive stop. (see Figure 4 and Figure 5).



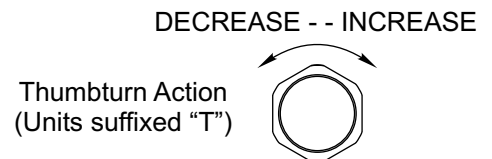
Friction Hold-Open Feature

Hold door open to opening angle desired and tighten holder-adjustment-nut (wrench supplied) or use 1" Box or Open End wrench.



Thumbturn Hold-Open Feature

The Thumbturn Hold-Open feature is controlled by the knob located on the arm of the unit. Turning this knob clockwise will engage the Hold-Open mechanism and increase the Hold-Open force. Turning this knob counterclockwise will reduce the Hold-Open force and disengage the Hold-Open mechanism.



Norton

ASSA ABLOY

ASSA ABLOY, the global leader in door opening solutions
 3000 Highway 74 East • Monroe, NC 28112
 Tel: (877)-974-2255 • Fax: (800)-338-0965
 www.nortondoortcontrols.com